

# Professional MFP Solution

## SCAN, COPY AND PRINT LARGE FORMAT DOCUMENTS

Colortrac Professional MFP Solution includes your choice of a SmartLF SCi scanner, SmartWorks Touch MFP software and SmartLF Repro stand. Get an affordable and reliable multi-functional copier and scan system by adding your own large format printer, PC and monitor.



Printer, PC, monitor,  
keyboard and mouse  
not included

IDEAL  
FOR THESE  
DOCUMENT  
TYPES

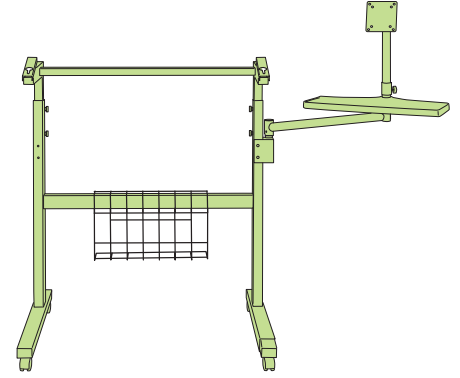
TECHNICAL

MAPS

POSTERS

PHOTOS

# Professional MFP Solution



SCANNER	SOFTWARE	STAND
<p><b>Choose between 3 sizes</b></p> <ul style="list-style-type: none"> <li>SmartLF SCi 42 MFP (42 in/1067 mm)</li> <li>SmartLF SCi 36 MFP (36 in/915 mm)</li> <li>SmartLF SCi 25 MFP (25 in/635 mm)</li> </ul> <p><b>Features</b></p> <ul style="list-style-type: none"> <li>Face-up, front feed with front or rear document exit</li> <li>Included document return guide</li> <li>Maximum optical resolution: 1200 dpi</li> <li>Maximum media thickness 0.08 inches (2.0 mm) for flexible documents</li> <li>SingleSensor with up to 52,800 pixels for 48-bit color and 16-bit greyscale data capture</li> <li>Dual bi-directional extra-long life LED lighting</li> <li>Instant-on with no warm-up time</li> <li>Maximum scan speeds @ 200dpi: <ul style="list-style-type: none"> <li>– 3 in/sec (24-bit RGB color)</li> <li>– 13 in/sec (8-bit Greyscale/Mono)</li> </ul> </li> <li>Scan accuracy: +/- 0.1% or +/- 1 pixel</li> <li>Digital Image processing</li> <li>2D Intelligent adaptive thresholding black &amp; white mode</li> <li>Fixed threshold black &amp; white (1-bit mode)</li> <li>Color Space: profiled sRGB</li> <li>SuperSpeed USB 3.0 computer interface</li> <li>Certifications: CE, cUL/UL, CCC, EAC, BIS, FCC Class A, ICES, EMC, VCCI, KC, EuP, WEEE, RoHS, REACH and ENERGY STAR® certified</li> </ul>	<p><b>SmartWorks TOUCH MFP</b></p> <p>Touch screen/mouse and keyboard operated Windows scanning software exclusively for Colortrac professional MFP Solutions and SmartLF SCi MFP scanners.</p> <p><b>SmartWorks TOUCH functions</b></p> <ul style="list-style-type: none"> <li>Pre-set color, dpi and clean-up from Document Type</li> <li>Send a copy of the original directly to the printer</li> <li>Scan a copy of the original to disk, USB drive or email</li> <li>Reprint previously scanned originals</li> <li>Make multiple copies of an original</li> <li>Enlarge or reduce the size of a copy</li> <li>Print/copy to any Windows™ Printer</li> </ul> <p><b>Other features</b></p> <ul style="list-style-type: none"> <li>Two-finger pinch zoom and flick controls support for touch monitors</li> <li>Automatic paper width detection</li> <li>Scan-Once Preview allowing real-time adjustment of images before copying, printing or saving</li> <li>Single page PDF, PDF/A, JPEG, TIFF and TIFF G4 file formats</li> <li>Scan resolutions: 100, 200, 300, 400, 600 and 1200 dpi (optical).</li> <li>Document-type presets (9) for pencil and tracing drawings, highlighted drawings and different color, gray and black and white originals</li> <li>Image editing controls for White and Black Point, Manual Deskew, Rotate, Sharpen, Invert and Mirror</li> <li>Windows 10 and Windows 8.1 operating systems, 32-bit and 64-bit</li> </ul>	<p><b>SmartLF Repro Stand</b></p> <p>Minimizes the combined footprint of the scanner and printer and creates a practical, professional copy and scan workstation.</p> <p>Large format scanner is positioned at the optimum height above most popular large format printers.</p> <p>Accommodates a PC, flat screen and keyboard with adjustment for best working position.</p> <p><b>Depth of stand</b></p> <ul style="list-style-type: none"> <li>34 in (864 mm) to 44 in (1116 mm)</li> </ul> <p><b>Width of stand (maximum)</b></p> <ul style="list-style-type: none"> <li>79.5 in (2021 mm)</li> </ul> <p><b>The stand height allows printer heights of</b></p> <ul style="list-style-type: none"> <li>45 in (1143 mm)</li> <li>43 in (1093 mm)</li> <li>40.8 in (1038 mm)</li> <li>39 in (988 mm)</li> </ul> <p>There is no limit on printer width.</p> <p><b>Monitor support arm height from floor</b></p> <ul style="list-style-type: none"> <li>55 in (1396 mm)</li> </ul>

Colortrac is a Global Scanning UK Ltd brand. Colortrac makes no warranty of any kind with respect to the information contained in this document and reserves the right to change specifications without notice. Colortrac and SmartLF® are trademarks of Colortrac. All other trademarks are the property of their respective owners.



The Professional MFP Solution from Colortrac is a large format package optimised for low volume multi-function printer duties. Copy to any Windows printer or scan to digital file formats via a touch or mouse-driven PC screen interface. Software and stand included. Add PC, monitor and printer.



[colortrac.com/mfps](http://colortrac.com/mfps)

Colortrac HQ & EMEA: Global Scanning UK Ltd., St Ives, UK, +44 1480 464618  
 Colortrac Americas: Global Scanning Americas (VA) Inc., Chantilly, VA, USA, +1 703 717 5631  
 Colortrac Japan & Asia: Global Scanning Japan A/S, Yokohama-Shi, Japan, +81 45 548 6991

**MANDENO**  
ELECTRONICS (2015) LTD

463 Mount Eden Road, Mount Eden, Auckland 1024  
 Ph 09 630 7871, Mb 027 279 6001  
 Em: [sales@mandeno.co.nz](mailto:sales@mandeno.co.nz)  
 Web [www.mandeno.co.nz](http://www.mandeno.co.nz), [www.czufnz.com](http://www.czufnz.com)

